

Smart solutions for global window systems.



EASY RING

CRICCHETTO REGOLABILE AD AGGANCIAMENTO INTERNO



Cricchetto regolabile ad aggancio interno | Adjustable catch with internal fixing | Cliquet réglable a accrochage rapide interieur | Golpete regulable con enganche interior



Corpo in alluminio estruso, base di appoggio in zama, slitta in nylon, grani in acciaio inox



Aluminum extruded body, Zamak support base, Nylon slider, stainless steel setscrews



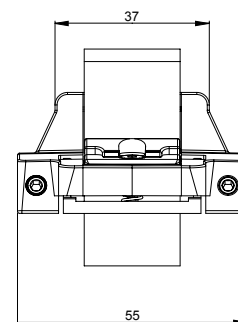
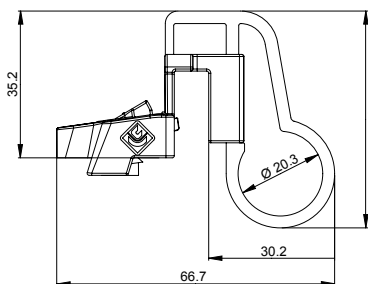
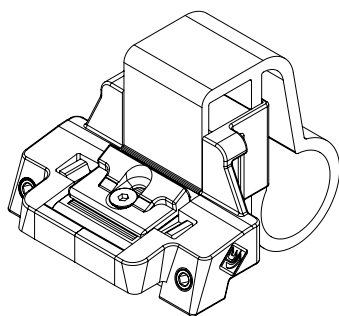
Corps en aluminium extrudé, base de soutien en zamak, glissière en nylon, grains en acier inox



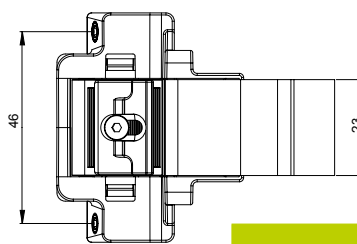
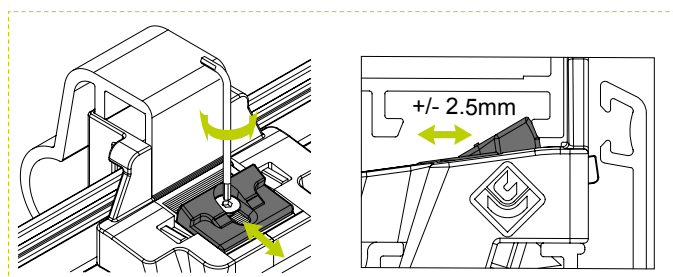
Cuerpo de aluminio extruido, base de apoyo de zamak, resbalón en nylon prisioneros de acero inox



ART.	1504.1 1504.2				1504.20				2391.1			
Imballo Package Conditionnement Embalaje	20 PZ				5 PZ				20 PZ			
Finiture disponibili Available finishes Finitions disponibles Acabados disponibles	1	2	3	4	1	2	3	4	1	2	3	4

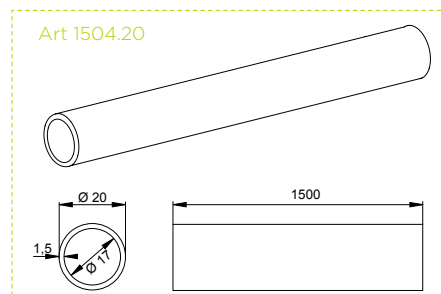
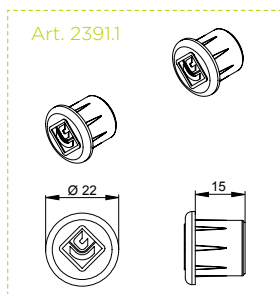
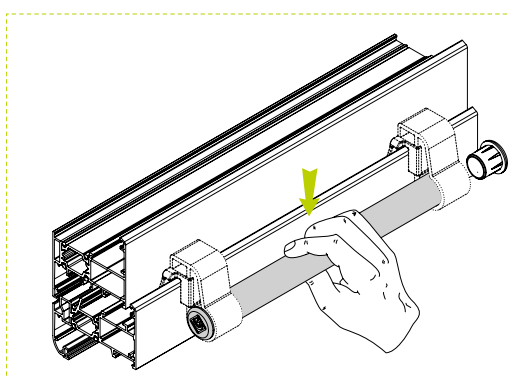


REGOLAZIONI / ADJUSTEMENT



DESCRIZIONE DESCRIPTION	ART.	NODO SECTION
Cricchetto ad aggancio interno regolabile Adjustable catch with internal fixing	1504.1	A08
	1504.2	A01 - A05 - A20 - A21 - A22

MONTAGGIO TANDEM / DUO MOUNTING





SCANSIONA IL QR CODE E GUARDA
IL NOSTRO CANALE YOUTUBE
*SCAN QR CODE AND FIND OUT
MASTER TUBE CHANNEL.*



Master Italy S.r.l.
S.P. 37 Conversano - Castiglione km 0,570 - Conversano (BA) Italy
Customer Service +39 080 4959823 -Fax. +39 080 4959030
info@masteritaly.com

MASTER implements its environmental policy by FSC Certification and by using low environmental impact inks.
This product has been printed under chain of custody (COC) and using only vegetable based inks.

